

TECHNICAL SPECIFICATION

LED Floodlights – VEGA



Technical data

- Power: 10W/20W/30W/50W/80W/100W
- Rated voltage: 85V - 265V
- Power supply: low-voltage, direct-current device – driver
- LED type: COB
- Light source: Epistar Taiwan
- Color temperature: 3000K/5500K
- Protection against dust and moisture: IP65
- Housing: aluminum body
- Reflector: mirror aluminum
- Diffuser: heat-resistant glass
- Long life: 30000 hours
- Colour rendering index: Ra>70
- Ambient temperature: -40°C ÷ +65°C
- Beam Angle: 120°

Areas of application

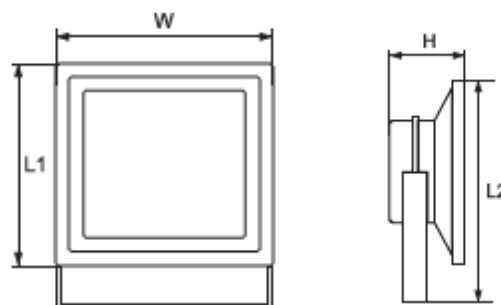
- Sports halls
- Commercial areas
- Warehouses
- Production facilities
- Squares
- Parking lots

Product benefits

- Efficient replacement of traditional halogen and metal-halide floodlights
- Wide distribution of even and stable light
- Economic - low power consumption
- Repeated switch on/off does not effect the fixture lifespan
- Instant light at maximum luminous flux
- Environmentally friendly - no mercury and lead
- No ultraviolet and infrared rays
- Resistant to shock and vibration stable body
- Voltage supply fluctuations do not affect the normal operation of the floodlights

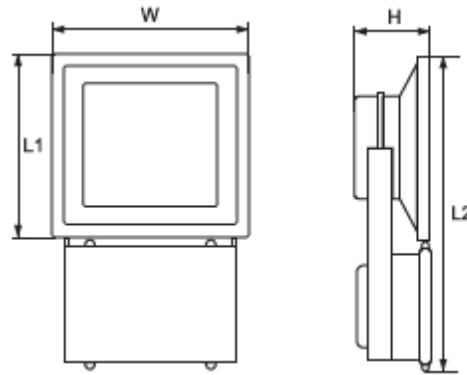
Variants and dimensions

- VEGA10/20/30/50



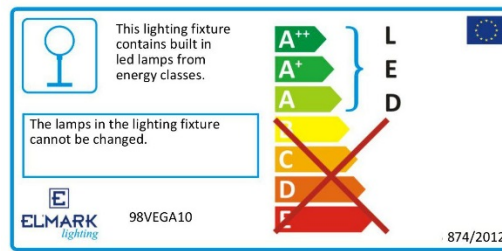
Model	Watt	LED chip lumens (lm)	Whole fixture lumens (lm)	Colour temp. (k)	Colour body	Size			Catalogue number	Packing (pcs)
						L1/L2	W	H		
VEGA10	10W	1100	700	5500	grey	85/95	115	80	98VEGA10	30
VEGA10	10W	1100	700	3000	grey	85/95	115	80	98VEGAWW	30
VEGA20	20W	2200	1400	5500	grey	140/150	180	80	98VEGA20	12
VEGA20	20W	2200	1400	3000	grey	140/150	180	80	98VEGA20WW	12
VEGA30	30W	3300	2100	5500	grey	185/195	225	100	98VEGA30	12
VEGA30	30W	3300	2100	3000	grey	185/195	225	100	98VEGA30WW	12
VEGA50	50W	5500	3500	5500	grey	235/245	285	110	98VEGA50	6
VEGA50	50W	5500	3500	3000	grey	235/245	285	110	98VEGA50WW	6

- VEGA80/VEGA100



Model	Watt	LED chip lumens (lm)	Whole fixture lumens (lm)	Colour temp. (k)	Colour body	Size			Catalogue number	Packing (pcs)
						L1/L2	W	H		
VEGA80	80W	8800	5600	5500	grey	235/380	285	80	98VEGA80	4
VEGA100	100W	11000	7000	3000	grey	235/385	285	120	98VEGA100	4

Energy efficiency



Barcodes

Barcodes	Catalogue number
3800131174277	98VEGA10
3800131174284	98VEGA20
3800131174291	98VEGA30
3800131174307	98VEGA50
3800131177308	98VEGA10WW
3800131177315	98VEGA20WW
3800131177322	98VEGA30WW
3800131177339	98VEGA50WW
3800131177346	98VEGA80
3800131177353	98VEGA100

Standards

EN 60598-1

EN 60598-2-5

